

IEEE 600/900A Apparatus Bushing

EOB Series

**15/25/35kV 600/900A Oil-immersive Bushing
IEEE 386™ - 2016 Deadbreak Interface**



Product Description

Goodwell’s EOB Series deadbreak bushings are rated 15/25kV or 35kV, 600A or 900A, meet all the requirements of IEEE 386™ - 2016 standards for separable insulated connector systems and will operate with the deadbreak elbows meeting the same standard. EOB deadbreak bushings are designed for sidewall mounting onto pad-mounted transformers or switchgears or other apparatus filled with mineral insulating oil or equivalent. All EOB bushings are made of fine epoxy material with operating temperature up to 150 °C.

Table 1 - Electrical Ratings

kV Class	Continuous Current Rating	AC 60Hz 1 min. Withstand (kV)	BIL at Full Wave Crest (kV)	Partial Discharge Voltage <3pc (kV)	Maximum Rating (kV)		Model No.	Conductor	Body Color
					P – G	P – P			
15/25kV	600A	40	125	19	15.2	26.3	EOB260	Aluminum	Black
15/25kV	900A	40	125	19	15.2	26.3	EOB290	Copper	Black
35kV	600A	50	150	26	21.1	36.5	EOB361	Aluminum	Black
35kV	600A	50	200	26	21.1	36.5	EOB362	Aluminum	Reddish Brown
35kV	900A	50	150	26	21.1	36.5	EOB391	Copper	Black
35kV	900A	50	200	26	21.1	36.5	EOB392	Copper	Reddish Brown

IEEE 600/900A Apparatus Bushing

EOB Series

**15/25/35kV 600/900A Oil-immersive Bushing
IEEE 386™ - 2016 Deadbreak Interface**

Table 2 - Ordering Information

Model Number	Typical Accessories Supplied	Quantity
EOB260		
EOB290	Stainless Steel Clamp	1
EOB361	Oil Resistant Gasket	1
EOB362	Shipping Cap for interface (not for operation)	1
EOB391	Shipping Cap for stud (not for operation)	1
EOB391	Installation Instruction Sheet	1
EOB392	Connecting Stud	0

Note:
Connecting stud is not a typical accessory for EOB series. If clients require connecting stud, please propose request while placing order; for Aluminum conductor, please consider 5/8"-11 aluminum stud, suffix CA to model number, eq. EOB260CA(600A). for Copper conductor, please consider 5/8"-11 bronze stud, suffix CB to model number, eq. EOB290CB(900A)

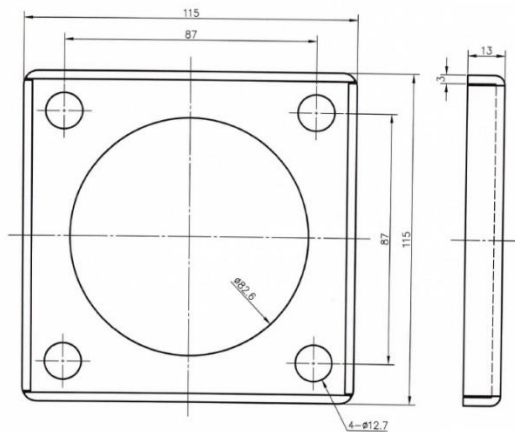


Image 1.
Stainless 4-hole Mounting Clamp

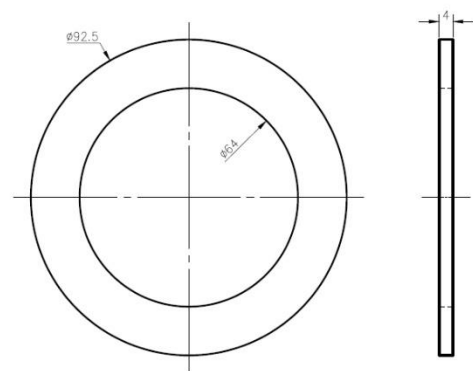


Image 2.
Oil-Resistant Gasket

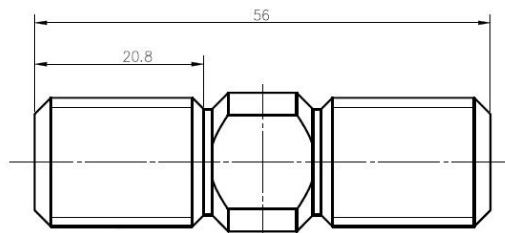


Image 3. Connecting stud